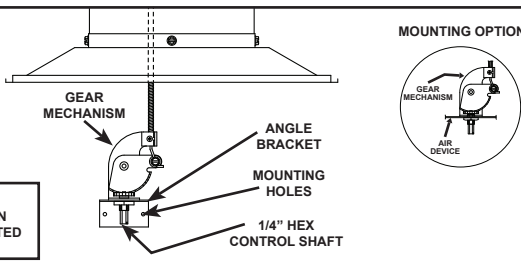
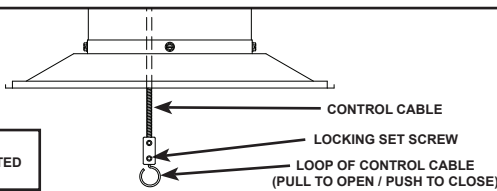
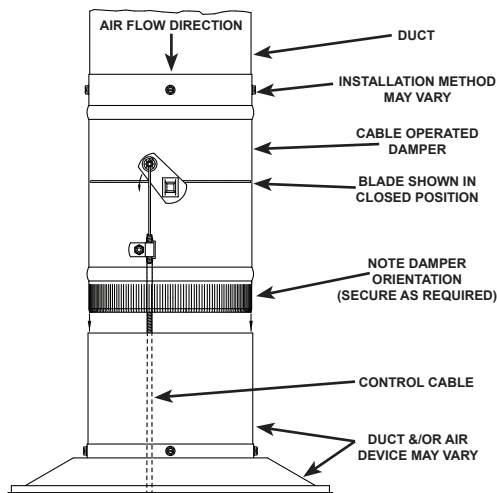


### ROUND CABLE OPERATED DAMPERS

#### INTERNAL CABLE - CODR & GCODR



**Step 1:** Install the damper in the duct as required.

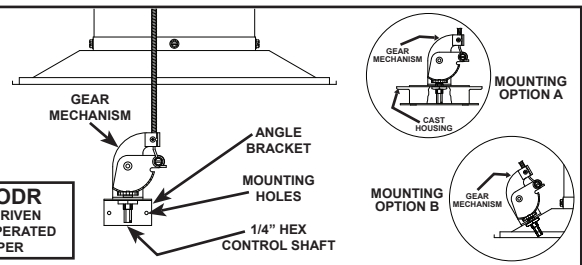
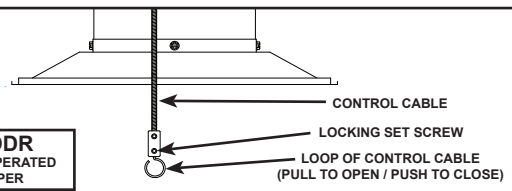
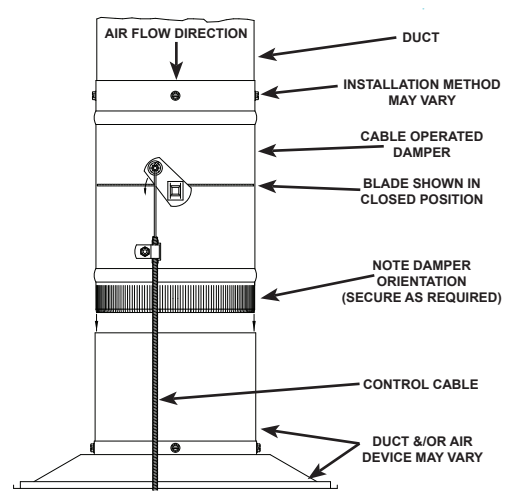
**Step 2:** Pass the damper control cable through the duct to the air device or the remote adjustment point. **For GOCODR**, mount gear mechanism to either the wall of the plenum using the angle bracket, or remove the angle bracket and mount it to the air device.

**Step 3:** Adjust the damper blade position for proper air flow. **For CODR**, loosen the locking set screw closest to the looped wire end of the control cable, push or pull the looped wire end of the control cable and tighten the set screw nearest to the looped wire end of the cable to lock the damper blade in the desired position. Store the control cable appropriately. **For GCODR**, rotate the 1/4" control shaft of the gear mechanism CW or CCW using a medium flat head screw driver or a 1/4" nut driver.

**For adjustments, repeat Step 3 as needed.**

**NOTE:** A 1/4" 'deep' socket may be required to make adjustments when the gear mechanism is mounted to the ceiling box.

#### EXTERNAL CABLE - XCODR & GXCODR



**Step 1:** Install the damper in the duct as required.

**Step 2:** Route the damper control cable to the remote adjustment point, being sure to avoid severe bending or kinking of the control cable. **For XGOCODR**, mount gear mechanism to either the wall of the plenum or the remote adjustment point using the angle bracket, or remove the angle bracket and mount it to the air device or the ceiling box.

**Step 3:** Adjust the damper blade position for proper air flow. **For XCODR**, loosen the locking set screw closest to the looped wire end of the control cable, push or pull the looped wire end of the control cable and tighten the set screw nearest to the looped wire end of the cable to lock the damper blade in the desired position. Store the control cable appropriately. **For GXCODR**, rotate the 1/4" control shaft of the gear mechanism CW or CCW using a medium flat head screw driver or a 1/4" nut driver.

**For adjustments, repeat Step 3 as needed.**

**NOTE:** A 1/4" 'deep' socket may be required to make adjustments when the gear mechanism is mounted to the ceiling box.

Duro Dyne East • Bay Shore, NY 11706 • Phone: 631-249-9000 • Fax: 631-249-8346  
 Duro Dyne Midwest • Fairfield, OH 45011 • Phone: 513-870-6000 • Fax: 513-870-6005  
 Duro Dyne West • Fontana, CA 92337 • Phone: 562-926-1774 • Fax: 562-926-5778  
 Duro Dyne Canada • Lachine • Quebec • Canada • Phone: 514-422-9760 • Fax: 514-636-0328

©2015 Duro Dyne Corporation  
 Printed in USA 12/2015

www.durodyne.com Email: durodyne@durodyne.com

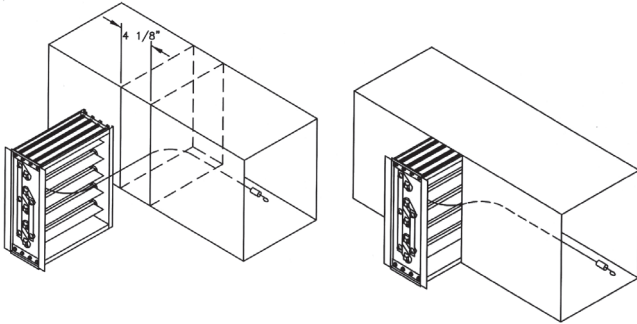
**Install all devices in accordance with applicable electrical and mechanical codes.**

**ALL DUROZONE DAMPERS FEATURE:**

• 5 year limited warranty • Controlled bypass • Maintenance free operation) • 100% factory testing • Custom dampers and special controls are available on request.

### RECTANGULAR CABLE OPERATED DAMPERS

#### INTERNAL CABLE - CODS & GCODS



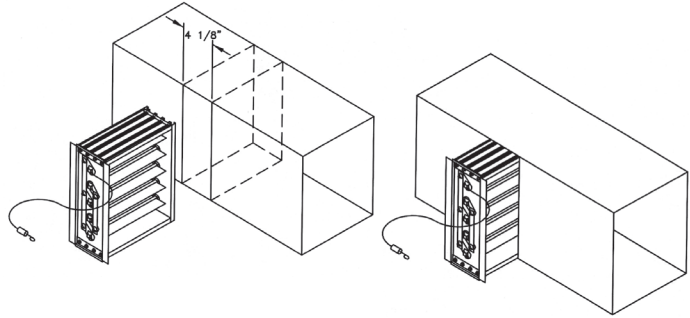
**Step 1:** Cut 4-1/8" wide slot into the side of the sheet metal duct.

**Step 2:** If desired, install gasket around the damper frame per the enclosed instructions.

**Step 3:** Insert the damper control cable into the slot cut into the ductwork and slide the damper into the duct work.

**Step 4:** Secure the damper to the ductwork with the screws provided.

#### EXTERNAL CABLE - XCODS & GXCODS

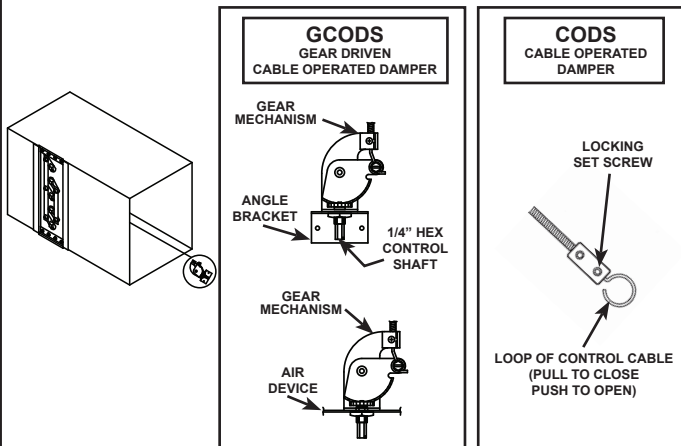


**Step 1:** Cut 4-1/8" wide slot into the side of the sheet metal duct.

**Step 2:** If desired, install gasket around the damper frame per enclosed instructions.

**Step 3:** Slide the damper into the duct work.

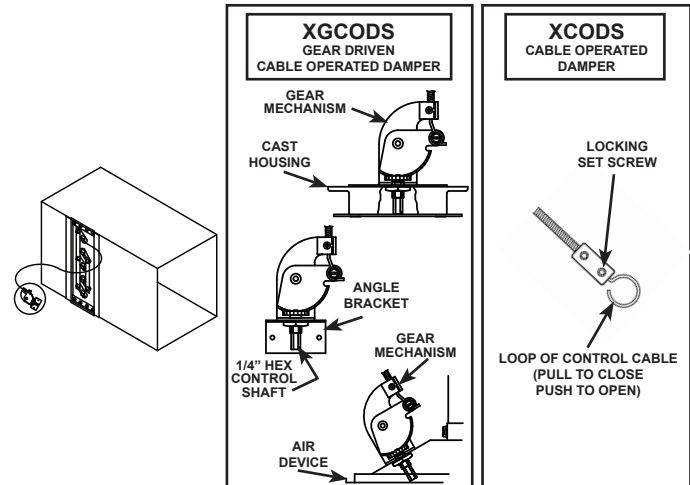
**Step 4:** Secure the damper to the ductwork with the screws provided.



**Step 5:** Pass the damper control cable through the duct to the air device or the remote adjustment point. **For GCODS**, mount gear mechanism to either the wall of the plenum using the angle bracket, or remove the angle bracket and mount it to the air device.

**Step 6:** Adjust the damper blade position for proper air flow. **For CODS**, loosen the locking set screw closest to the looped wire end of the control cable, push or pull the looped wire end of the control cable and tighten the set screw nearest to the looped wire end of the cable to lock the damper blade in the desired position. Store the control cable appropriately. **For GCODS**, rotate the 1/4" control shaft of the gear mechanism CW or CCW using a medium flat head screw driver or a 1/4" nut driver. **For adjustments, repeat Step 6 as needed.**

**NOTE:** A 1/4" 'deep' socket may be required to make adjustments when the gear mechanism is mounted to the ceiling box.



**Step 5:** Route the damper control cable to the remote adjustment point, being sure to avoid severe bending or kinking of the control cable. **For XGOCDS**, mount gear mechanism to either the wall of the plenum using the angle bracket, or remove the angle bracket and mount it to the air device.

**Step 6:** Adjust the damper blade position for proper air flow. **For XCODS**, loosen the locking set screw closest to the looped wire end of the control cable, push or pull the looped wire end of the control cable and tighten the set screw nearest to the looped wire end of the cable to lock the damper blade in the desired position. Store the control cable appropriately. **For XGOCDS**, rotate the 1/4" control shaft of the gear mechanism CW or CCW using a medium flat head screw driver or a 1/4" nut driver. **For adjustments, repeat Step 6 as needed.**

**NOTE:** A 1/4" 'deep' socket may be required to make adjustments when the gear mechanism is mounted to the ceiling box.

Duro Dyne East • Bay Shore, NY 11706 • Phone: 631-249-9000 • Fax: 631-249-8346  
 Duro Dyne Midwest • Fairfield, OH 45011 • Phone: 513-870-6000 • Fax: 513-870-6005  
 Duro Dyne West • Fontana, CA 92337 • Phone: 562-926-1774 • Fax: 562-926-5778  
 Duro Dyne Canada • Lachine • Quebec • Canada • Phone: 514-422-9760 • Fax: 514-636-0328

©2015 Duro Dyne Corporation  
 Printed in USA 12/2015

www.durodyne.com Email: durodyne@durodyne.com

**Install all devices in accordance with applicable electrical and mechanical codes.**

**ALL DUROZONE DAMPERS FEATURE:**

- 5 year limited warranty
- Controlled bypass
- Maintenance free operation
- 100% factory testing
- Custom dampers and special controls are available on request.